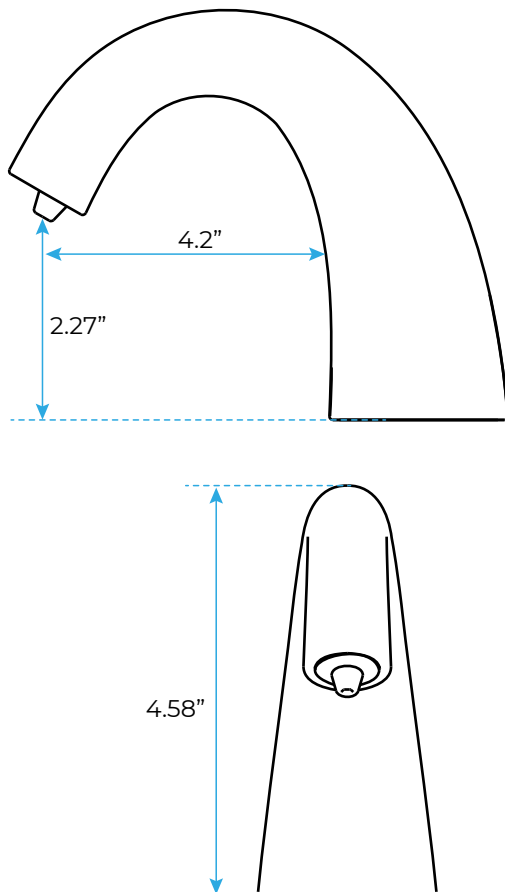


CHICAGO COMMERCIAL POLISHED CHROME AUTOMATIC MODERN STYLE ELECTRONIC SOAP DISPENSER SPECIFICATIONS



Specification	
Product Type:	Commercial
Main Construction Material:	Brass
Mount Type:	Deck
Handle Type:	Infra-Red
Power Rating:	3 Amp Fuse, AC: 230V DC: 1.5V
Batteries Required:	4 AA Batteries (not supplied)
Number of Tap Holes:	1
Valve/Cartridge Type:	Solenoid Valve
Plumbing System Requirements:	Suitable for all plumbing systems
Sensing Range:	0 - 8cm
Activation Time:	0.5 - 1 secs
Viscosity of Liquid Soap:	100-3500cp (mpA .s)
Isolation Included:	No

Size



Overview



All dimensions and specifications are nominal and may vary. Use actual products for accuracy in critical situations.